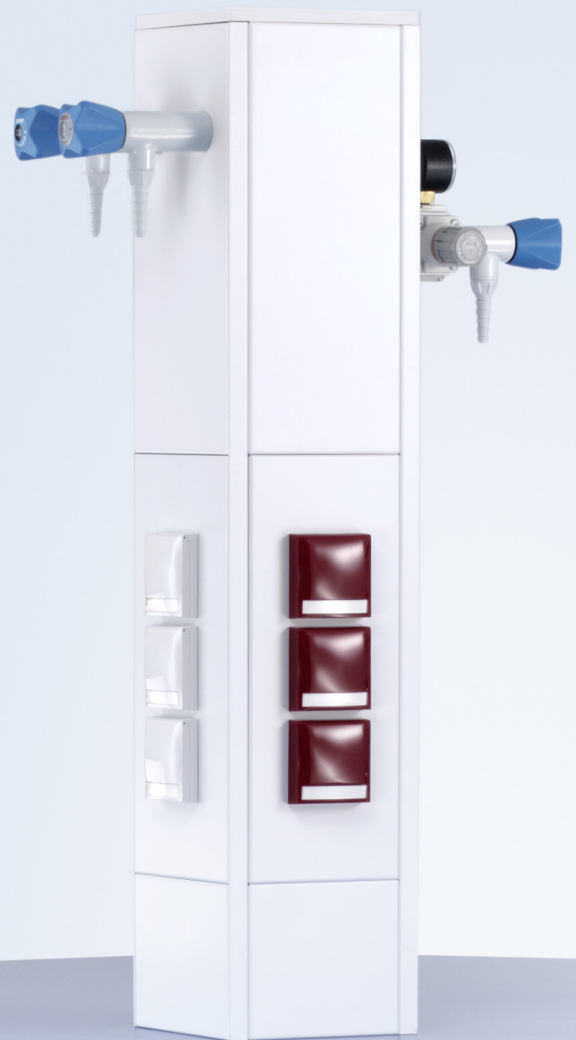


# Köttermann Service Supply.

Maximum flexibility.



We create connections  
for you.

Optimum choice.



Subject to technical modifications  
Status: July 2018

## Contents

---

- 02 Overview of service systems
- 04 Service cells
- 07 Service walls
- 10 Service booms
- 13 Worktop service columns
- 16 Accessories
- 18 Contact

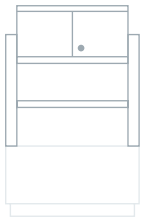
# Overview of service systems

Simplified processes – always at the source

For the smooth flow of processes, water, gases and electricity as well as all other services used in the laboratory must be available in the immediate vicinity of the workplace.

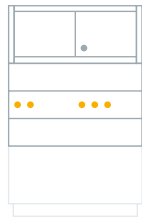
Like everything else at KÖTTERMANN, the supply of services has a system. EXPLORIS® offers several alternatives for the service supply, so each laboratory can be equipped with services in the required quality, purity and number.

- **Flexible**
  - exchangeable service cassettes
  - equipped and retrofitted as needed
- **Safe**
  - everything in view due to open design
  - high service density
  - columns equipped with cassettes from all sides
- **Highly variable**
  - the right workplace for every application
  - all systems can be combined



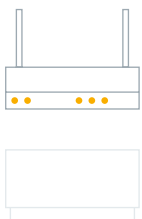
## Service cells

A fantastic range of possibilities



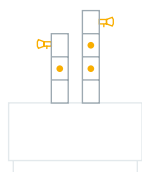
## Service walls

The space saver



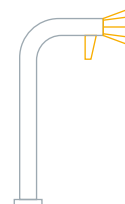
## Service booms

Everything to hand, nothing standing in the way



## Worktop service columns

Flexible in use, freedom in location



## Accessories

Safety in every detail

## Benefits

---

- High visibility with service cells
- Free work surface with service booms
- High service density with service walls and cells
- Flexibility and easy retrofitting of service cassettes
- Ergonomics at the workplace thanks to the service supply easily accessible on all systems
- Full accessibility of apparatus with the service boom
- All services can be positioned horizontally on the service wall right where they are needed.

## Design

---

- Material
  - quality steel (1.0330)
  - electrolytically galvanized
  - powder coated
- Colour
  - Arctic White (NCS S 0505 R80B), similar to RAL Design 260 90 05
- All electric cables are halogen-free
- Flexible equipment with liquid, gaseous and electrical services
- Various heights and widths are available

## Equipment options

---

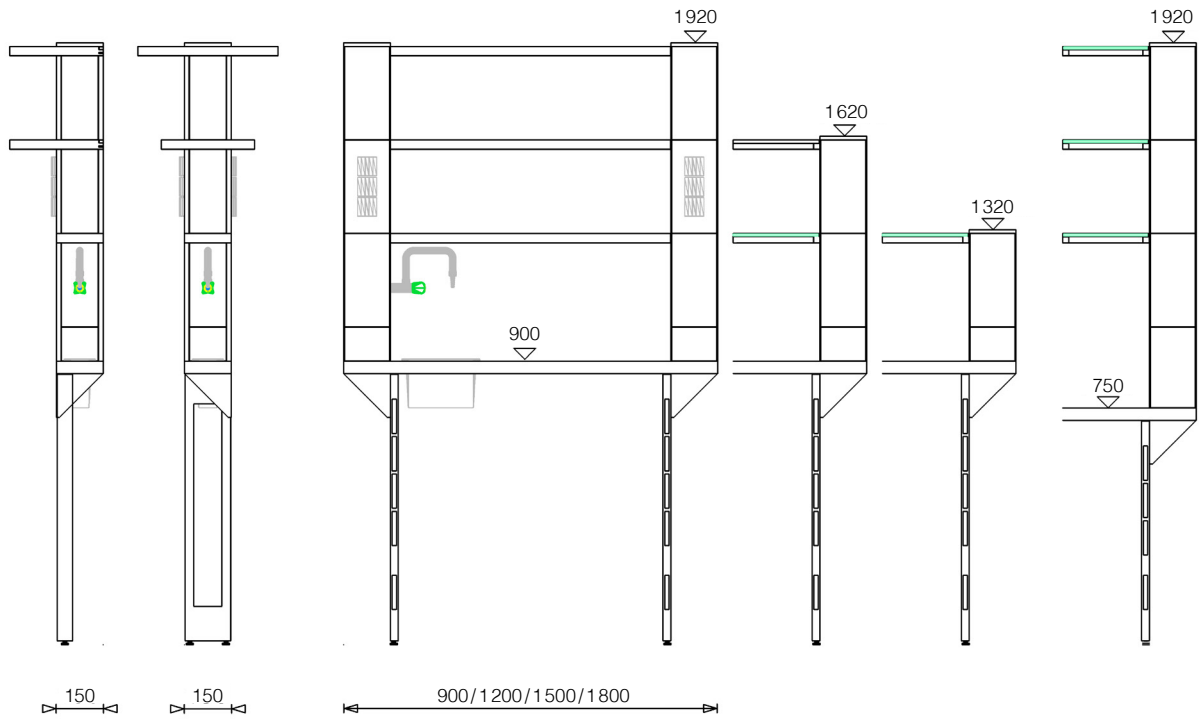
- Fluid services
  - gaseous services
    - regulated / non-regulated fittings for technical and burnable gases
    - high-purity gas fittings
  - liquid services
    - cold water (WNC)
    - hot water (WNH)
    - demineralised water (WDC)
    - cooling water feed (WCF)
    - cooling water return (WCR)
- Individual gas, water and electrical fittings with quality products from these manufacturers
  - BROEN-LAB A/S
  - Spectron Gas Control Systems GmbH
  - GCE GmbH
  - Berker GmbH & Co. KG
  - Hager Vertriebsgesellschaft mbH & Co. KG
- Sockets, feeds, equipotential bonding, installation back boxes and much more
- LED lighting, scaffold systems and various accessories
- Small drip cups and fully integrated cleaning workplaces
- Eye showers
- Lab benches with underbench cabinets, mobile trolleys or knee space, wall-mounted cabinets, shelves
- EXPLORIS LevelControl®
  - waste collection system with electronic fill-level control
  - for solvent and aqueous wastes
  - can be integrated in underbench safety cabinets
  - can be integrated in acid / base cabinets
  - filling the containers directly from the workplace at service cell and wall
  - electrically conductive polypropylene
- Splash panels made of single-pane safety glass or steel

# Service cells

A fantastic range of possibilities



## Dimensions Service cells



### Service cells

Dimensions in mm

	Width				Height from top edge floor			Height from worktop			Depth
	900	1200	1500	1800	1320	1620	1920	570	870	1170	
Service cells for sitting workplaces	900	1200	1500	1800	1320	1620	1920	570	870	1170	150
Service cells for standing workplaces	900	1200	1500	1800	1320	1620	1920	420	720	1020	150

## Design

- Material
  - quality steel (1.0330)
  - electrolytically galvanized
  - powder coated
- Colour
  - Arctic White (NCS S 0505 R80B), similar to RAL Design 260 90 05
- Wall and island workstations
- Sitting (750mm) and standing (900mm)\* work height
- Widths: 900mm, 1200mm, 1500mm and 1800mm
- Cased and uncased
- Possibility for lowered table boom for more worktop space
- Heights: 1320mm, 1620mm, 1920mm

## Equipment options

- With or without drip cup in the table bridge
- Splash panels in single-pane safety glass or steel
- Fluid services
  - gaseous services
    - regulated/non-regulated fittings for technical and burnable gases
    - high-purity gas fittings
  - liquid services
    - cold water (WNC)
    - hot water (WNH)
    - demineralised water (WDC)
    - cooling water feed (WCF)
    - cooling water return (WCR)
- Sockets, feeds, equipotential bonding and much more
- Shelves made of glass or high pressure laminate
  - with 30kg load capacity
- Cell cabinets
- LED lighting, scaffold systems and various accessories
- Cleaning workplaces can be integrated
- Lab benches with underbench cabinets, mobile trolleys or knee space

## Description

**The service cell** is the most frequently used system for the supply of services in the laboratory. The main feature of the media cell is its appearance, which gives the entire laboratory a bright, spacious feeling.

The vertical arrangement of the services is particularly advantageous. It allows safe and easy access, as fittings and sockets are not blocked by experimental setups. Typically, service cells are integrated in an island workbench or a wall workstation.

## Properties and benefits

- Light visual appearance in the laboratory
- Diverse equipment options
- Organized and structured workplaces through the vertical arrangement of services
- Easy access to the shelves and cell cabinets, which offer plenty of space for laboratory materials, reagents and experimental equipment
- Service cassettes can be equipped and retrofitted individually
- Side-mounted sockets and fittings also easily accessible behind large equipment

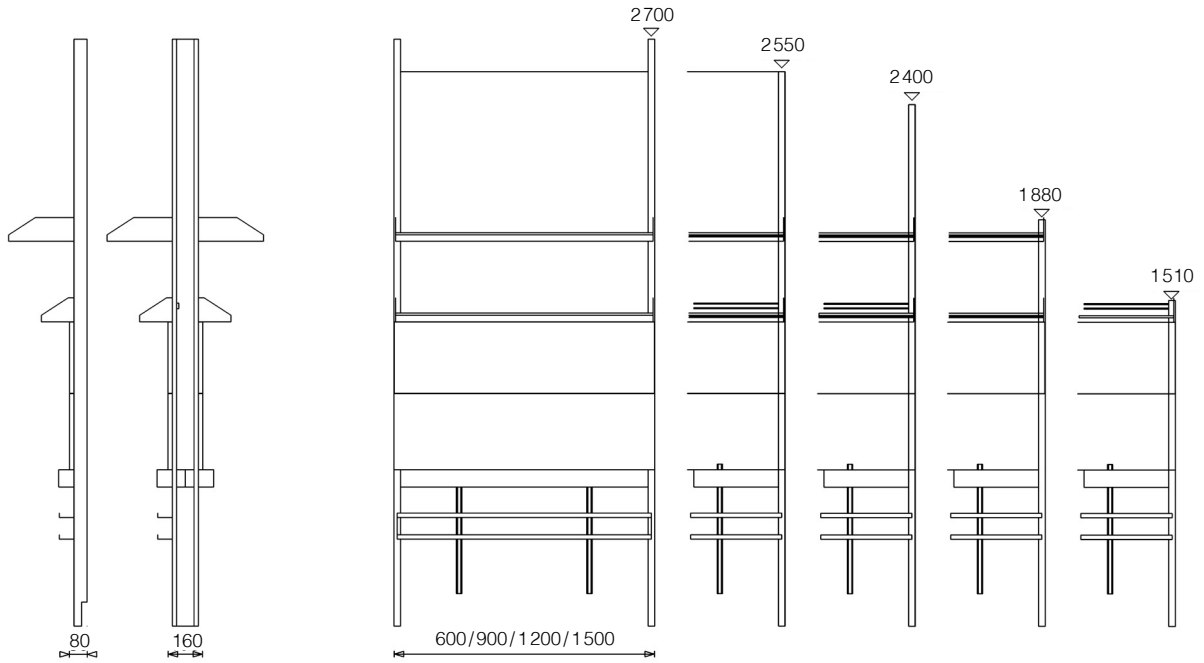


# Service wall

The space saver



## Dimensions Service wall



### Service wall

Dimensions in mm

	Width				Height			Depth	
	600	900	1200	1500	1510	2400	2550	80	–
Wall workstation	600	900	1200	1500	1510	2400	2550	80	–
Island workstation	600	900	1200	1500	1880	2400	2550	–	160

## Design

- Wall or island workstations
- Sitting (750mm) or standing (900mm) working height
- Material
  - quality steel (1.0330), electrolytically galvanized, powder coated
- Colour: Arctic White (NCS S 0505 R80B), similar to RAL Design 260 90 05
- Widths: 600 mm, 900 mm, 1 200 mm, 1 500 mm
- Heights: 1 880 mm, 2 400 mm, 2 550 mm Basic
- Wall depths
  - wall workstation: 80 mm
  - island workstation: 160 mm
- Sink: PP drip cup
  - w = 195 mm, d = 100 mm, h = 140 mm
  - colour dark grey (similar to RAL 7012)
- Shelves: tray made of steel, shelf made of glass
  - single-pane safety glass, white, ceramic all-over print
  - load capacity per floor: 30 kg
- Equipment: fittings, sockets, feeds, cabinets, accessories
- Options: wall, island workbench, without basin; with basin right or left, installation cased or uncased

## Equipment options

- With or without drip cup
- Splash panels: single-pane safety glass or coated steel
- Fluid services
  - gaseous services
    - regulated/non-regulated fittings for technical and burnable gases
    - high-purity gas fittings
  - liquid services
    - cold water (WNC), hot water (WNH), demineralised water (WDC), cooling water feed (WCF), cooling water return (WCR)
- Sockets, feeds, equipotential bonding and much more
- Shelves
- Wall-mounted cabinets
- LED lighting, scaffold systems and various accessories
- Lab benches with underbench cabinets, mobile trolleys or knee space
- Cleaning workplaces can be integrated

## Description

**Service walls** are the most compact version of the service supply system. They can replace entire laboratory walls. There are many options between wall and island workstations with fixed and mobile trolleys, shelves and wall-mounted cabinets.

Another advantage of the service wall is the large-area service panels.

## Properties and benefits

- High service density
- Diverse equipment options
- Easy access
  - ergonomics of services due to horizontal arrangement and reduced table depths
- Services are right where they are needed
  - there is no need to lay long cables or wires at the workplace
- Shelves and spacious wall-mounted cabinets are ideal for storing laboratory supplies, small and medium-sized analysers and reagents.
- Good room partitioning in the lab
- Jointless

# Service booms

Everything to hand, nothing standing in the way



Dimensions Service booms



Service booms

Dimensions in mm

	Width			Height of boom without suspension	Length of suspension	Depth
Ceiling mounted	900	1200	1500	360	variable – until max. 1214	200
Wall mounted	900	1200	1500	360		200

## Design

---

- Material
  - quality steel (1.0330)
  - electrolytically galvanized
  - powder coated
- Colour
  - Arctic White (NCS S 0505 R80B), similar to RAL Design 260 90 05
- Widths: 900 mm, 1 200 mm, 1 500 mm
- Heights: variable by mounting
- Wall and ceiling mounting

## Equipment options

---

- Fluid services
  - gaseous services
    - regulated/non-regulated fittings for technical and burnable gases
    - high-purity gas fittings
  - liquid services
    - cold water (WNC)
    - hot water (WNH)
    - demineralised water (WDC)
    - cooling water feed (WCF)
    - cooling water return (WCR)
- Electronics
  - sockets, feeds, installation back boxes and much more
- LED lighting and various accessories
- Lab benches with underbench cabinets, mobile trolleys or knee space
- Telescopic supports
- Additional worktop service columns

## Description

---

**Service booms** are used when a service supply is to be suspended from the ceiling. In this way, the worksurface underneath remains free for devices and experimental setups. Service booms can also be mounted on the wall. They have a modular structure and consist of a body that can be equipped with service cassettes along its entire width. The boom can be individually equipped with power feed terminal for electricity, with options for fuses and RCCBs, sockets and gas fittings. In this way, it adapts precisely to the work processes in the laboratory.

## Properties and Benefits

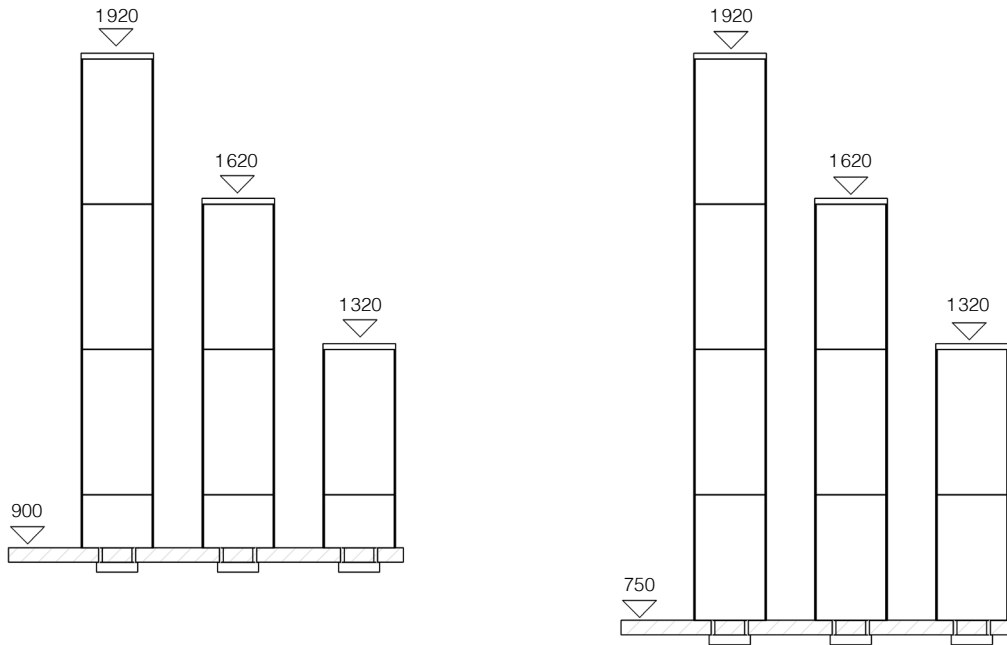
- Creates maximum space on the worktop surface
- No partition of island workbenches
  - for generous sense of space and best use of space
- Service cassettes can be equipped and retrofitted individually
- Easy access to apparatus for use and maintenance
- Variable mounting and ergonomic positioning thanks to the telescopic ceiling supports
- Alternative to service wall, when no shelves are needed
- Wall-mounted service booms can be supplemented by wall-mounted cabinets

# Worktop service columns

Flexible in use, freedom in location



**Dimensions Worktop service columns**



**Worktop service columns**

Dimensions in mm

	Width	Height from top edge floor			Height from worktop			Depth
Service columns for sitting workplaces	150	1320	1620	1920	570	870	1170	150
Service columns for standing workplaces	150	1320	1620	1920	420	720	1020	150



## Design

---

- Material
  - quality steel (1.0330)
  - electrolytically galvanized
  - powder coated
- Colour
  - Arctic White (NCS S 0505 R80B), similar to RAL Design 260 90 05
- Width: 150 mm
- Height
  - sitting work height from worktop: 570 mm, 870 mm, 1 170 mm
  - standing work height from worktop: 420 mm, 720 mm, 1 020 mm
  - total height (from top edge floor): 1 320 mm, 1 620 mm, 1 920 mm

## Equipment options

---

- Fluid services
  - gaseous services
    - regulated/non-regulated fittings for technical and burnable gases
    - high-purity gas fittings
  - liquid services
    - cold water (WNC)
    - hot water (WNH)
    - demineralised water (WDC)
    - cooling water feed (WCF)
    - cooling water return (WCR)
- Electronics
  - sockets, feeds, installation back boxes and much more
- Lab benches with underbench cabinets, mobile trolleys or knee space
- Telescopic service droppers
- Column covers

## Description

---

**Worktop service columns** are particularly flexible in use. They can be equipped with fittings, sockets, switches and fuses from all sides as needed. As with the service cells, exchangeable cassettes are also used. Worktop service columns offer the specific supply of services, where routine work where low service density and a large amount of space is needed. The system is well suited for training rooms.

## Properties and Benefits

- Variable, flexible and ergonomic positioning
- Service cassettes can be equipped and retrofitted individually
- Minimal partition of laboratory workplaces for a generous sense of space
- Very cost efficient
- Minimal visual appearance

# Accessories

## Safety in every detail

### General

A good service supply system can be recognised by its user-friendly equipment and accessories. At KÖTTERMANN the options are diverse: fittings for water, technical, regulated or high-purity gases, shutoff valves and much more. Together they complete the service supply in the laboratory. Because quality begins with the detail.

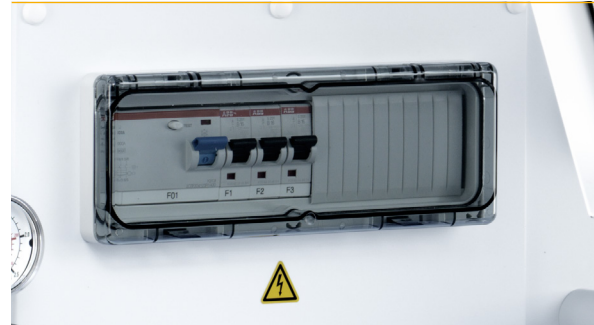
### Properties and benefits

- Large selection of electrical components and fittings
- All cables free from halogenated plastics (PVC)
- Sockets available in many variants and country-specific versions
- Cabling of sockets with a flexible electrical plug & play system
- Homogeneous appearance: Accessories can be combined with all KÖTTERMANN service supply systems

### Accessories for EXPLORIS® service systems

- Scaffold system with optional extension set
- Paper roll holder
- Pen trays
- Document holder
- Pipette holder
- Paper tray

### Power supply



### Special circuits

Service column with sockets for special circuits

### Sockets

Sockets are protected from splash water by a hinged lid (IP44)

### Fuse box

The fuse box can be integrated directly into the service column.

### Electrical trunking

For wall installation for power and data cables

### Equipment for service columns, service booms, service walls and fume cupboards

- Sockets to local designs
- CEE sockets (230 and 400 V)
- Colour-separated sockets for special and emergency power circuits
- Explosion-proof sockets (according to ATEX)
- Emergency stop button and key switch
- Potential equalisation sockets
- Electric switches and buttons
- Installation back boxes, universally applicable, e.g. for the installation of IT or telephone interfaces

### LED workplace lighting

- For installation underneath the cell or wall-mounted cabinets and shelves
- Light colour 6500 K

### Gas supply



#### Fitting for gases

- Option for rigid or flexible piping
  - Fittings for technical gases are operated via an extraction valve
- Regulated fittings are available for technical gases

#### High-purity gases

Fittings for high-purity gases up to purity 6.0 are equipped with pressure reducer, regulating valve and/or shut-off valve. They also include a manometer by default.

### Water supply



#### Operation

They are available as standard fittings for the installation on the bench or as corner fittings for the installation in service systems.

#### Accessories: tablets and flat screens

Tablets and flat screens can be securely attached to service cassettes.

#### Equipment for service columns, service booms, service walls, fume cupboards and worktops

- All fittings comply with DIN 12918 and are marked according to EN 13792
- Fittings for cold, hot and mixed water
  - material: brass
  - rotating valves, single-lever operation or sensor control
- Fittings for demineralised or distilled water
  - material: brass, nickel-plated or polypropylene, depending on the required degree of purity
  - recirculating designs
  - eye showers (DVGW certified and meets the standards of EN15154-2 and ANSI Z358.1.)
- Sinks and basins

### Other accessories

- Count-down timer (magnetic)
- Drainer (can be configurable and wall mountable)
- Towel dispenser (steel or stainless steel)
- Universal dispenser for soap and disinfectant
- Monitor bracket
- Keyboard tray
- PC cradle
- EXPLORIS LevelControl® for aqueous or solvent-based waste
- Empty bottles for soaps and disinfectant dispensers

[www.koettermann.com](http://www.koettermann.com)  
[www.kottermann.com](http://www.kottermann.com)

---

## KÖTTERMANN GMBH & CO KG

Industriestraße 2-10  
DE-31311 Uetze/Hänigsen  
Phone: +49 5147 976-0  
E-Mail: [exploris@koettermann.com](mailto:exploris@koettermann.com)

### AUSTRIA

## KÖTTERMANN GMBH AUSTRIA

Autokaderstraße 29 – Bauteil 1  
AT-1210 Wien  
Phone: +43 1 544937420  
E-Mail: [exploris.at@koettermann.com](mailto:exploris.at@koettermann.com)

### BELGIUM

## KÖTTERMANN BVBA

Keesinglaan 26  
BE-2100 Antwerpen  
Phone: +32 3 3609790  
E-Mail: [exploris.be@kottermann.com](mailto:exploris.be@kottermann.com)

### FRANCE

## KÖTTERMANN SYSTEMLABOR S.A.S.

Parc Business Airport  
Bât. Epsilon, 80 rue Condorcet  
FR-38090 Vaulx-Milieu  
Phone: +33 474 952380  
E-Mail: [exploris.fr@koettermann.com](mailto:exploris.fr@koettermann.com)

### POLAND

## KÖTTERMANN SP. Z O.O.

ul. Szamocka 8  
PL-01-748 Warszawa  
Phone: +48 22 8324760  
E-Mail: [exploris.pl@koettermann.com](mailto:exploris.pl@koettermann.com)

### SPAIN

## KÖTTERMANN SYSTEMLABOR, S.A.

Calle Consuegra 7, 3°C  
ES-28036 Madrid  
Phone: +34 91 7320110  
E-Mail: [exploris.es@koettermann.com](mailto:exploris.es@koettermann.com)

### SWITZERLAND

## KÖTTERMANN AG

Industriestrasse 37  
CH-8625 Gossau ZH  
Phone: +41 44 9361809  
E-Mail: [exploris.ch@koettermann.com](mailto:exploris.ch@koettermann.com)

### THE NETHERLANDS

## KÖTTERMANN B.V.

Nieuwe Prinsenkade 3  
NL-4811 VC Breda  
Phone: +31 76 2030044  
E-Mail: [exploris.nl@kottermann.com](mailto:exploris.nl@kottermann.com)

### UK & IRELAND

## KÖTTERMANN LTD.

3 The Courtyard, Furlong Road  
Bourne End  
UK-Buckinghamshire SL8 5AU  
Phone: +44 1628 532211  
E-Mail: [exploris.uk@koettermann.com](mailto:exploris.uk@koettermann.com)